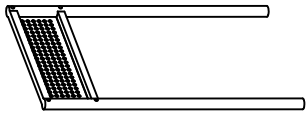
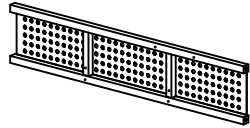


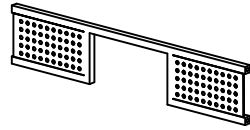
MONTÁŽNY NÁVOD - HOMER LY 1042 - barový set



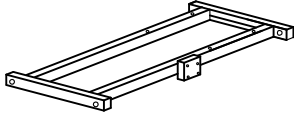
A × 2 Ks



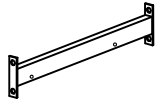
B × 1 Ks



C × 1 Ks



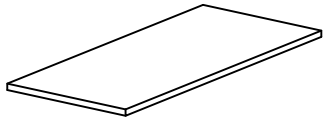
D × 1 Ks



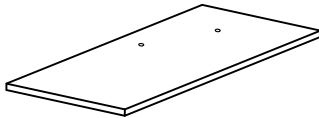
E × 1 Ks



F × 1 Ks



G × 1 Ks



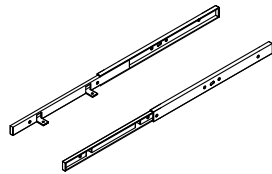
H × 1 Ks



I × 1 Ks



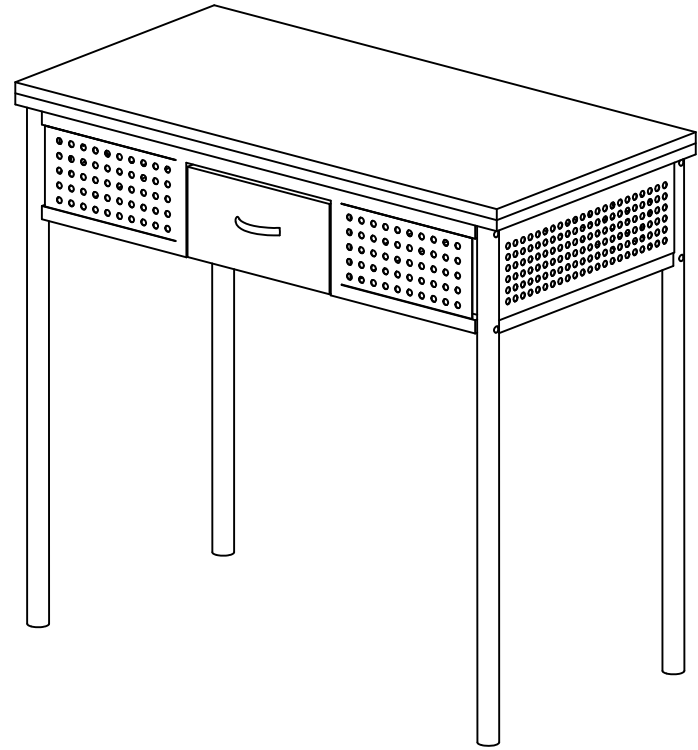
J × 1 Ks



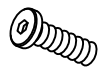
K × 1 Ks



L × 2 Ks



M6 × 50mm
M × 8 Ks



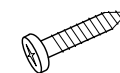
M6 × 25mm
N × 4 Ks



M6 × 10mm
O × 8 Ks



∅4 × 12mm
P × 20 Ks



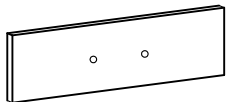
∅4 × 18mm
Q × 8 Ks



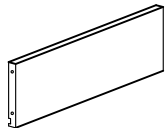
R × 4 Ks



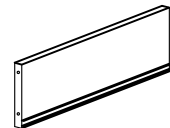
S × 1 Ks



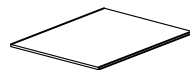
① × 1 Ks



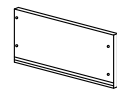
② × 1 Ks



③ × 1 Ks



④ × 1 Ks



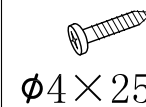
⑤ × 1 Ks



⑥ × 4 Ks



⑦ × 4 Ks



∅4 × 25mm
⑧ × 4 Ks

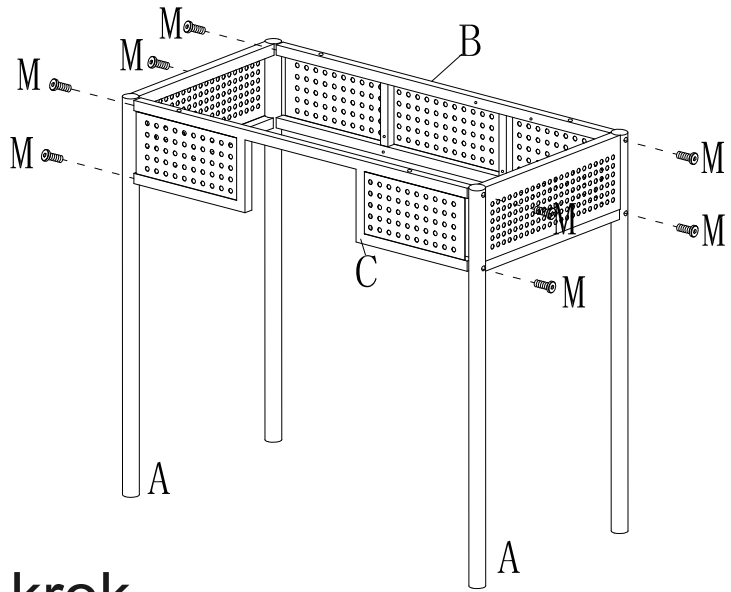


∅4 × 18mm
⑨ × 2 Ks

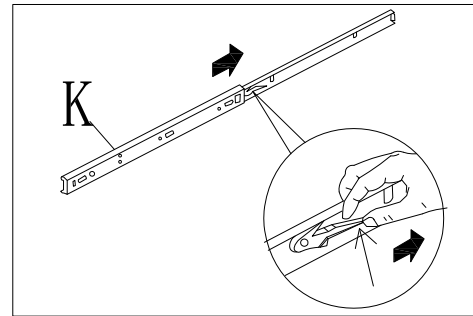


⑩ × 1 Ks

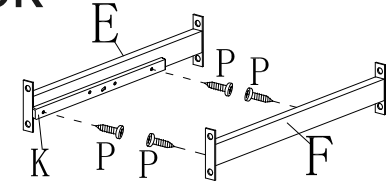
1.krok



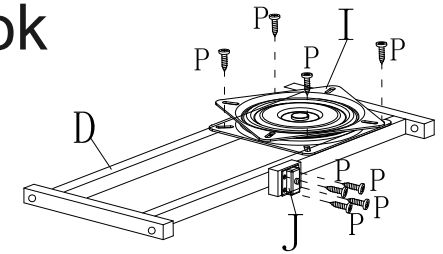
2.krok



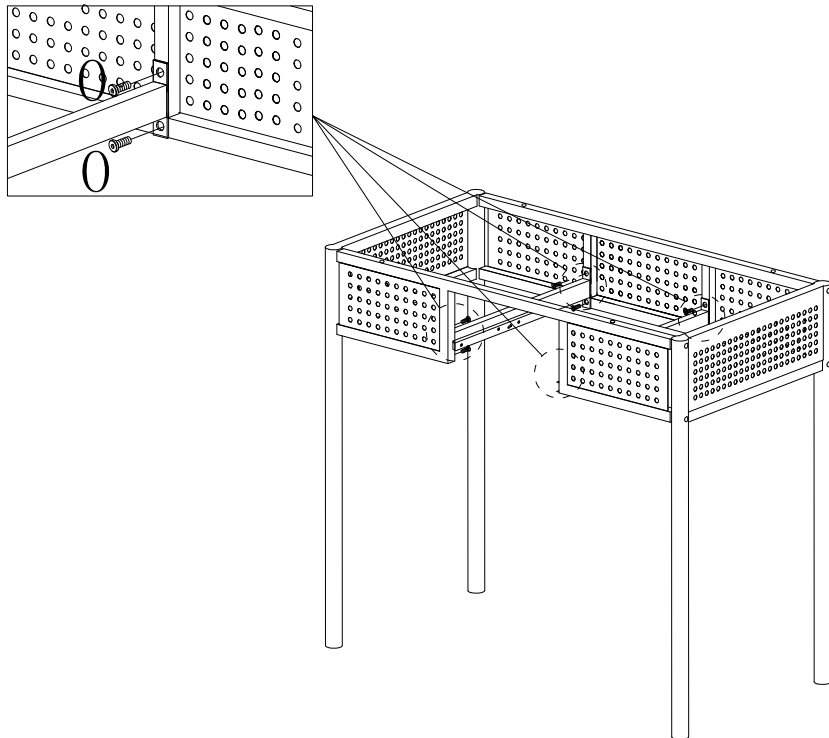
3.krok



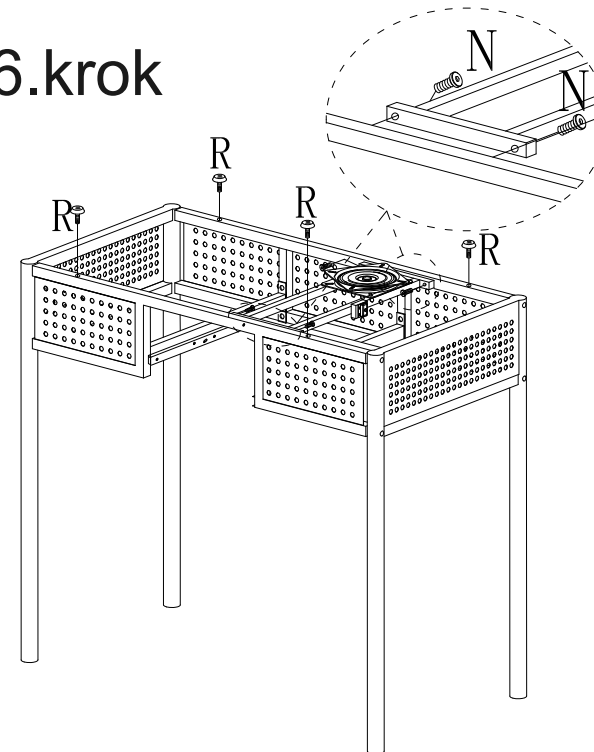
4.krok



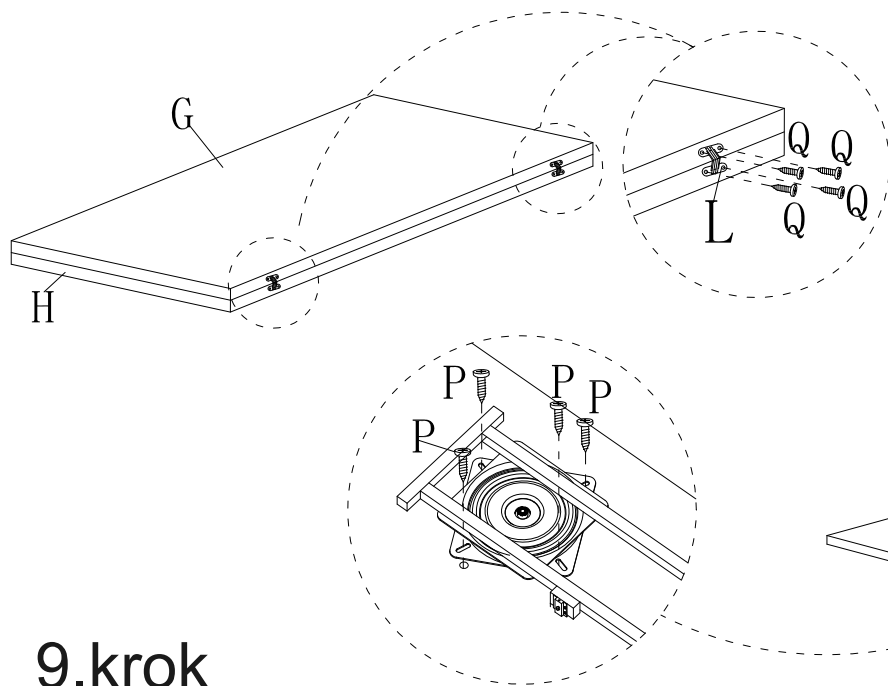
5.krok



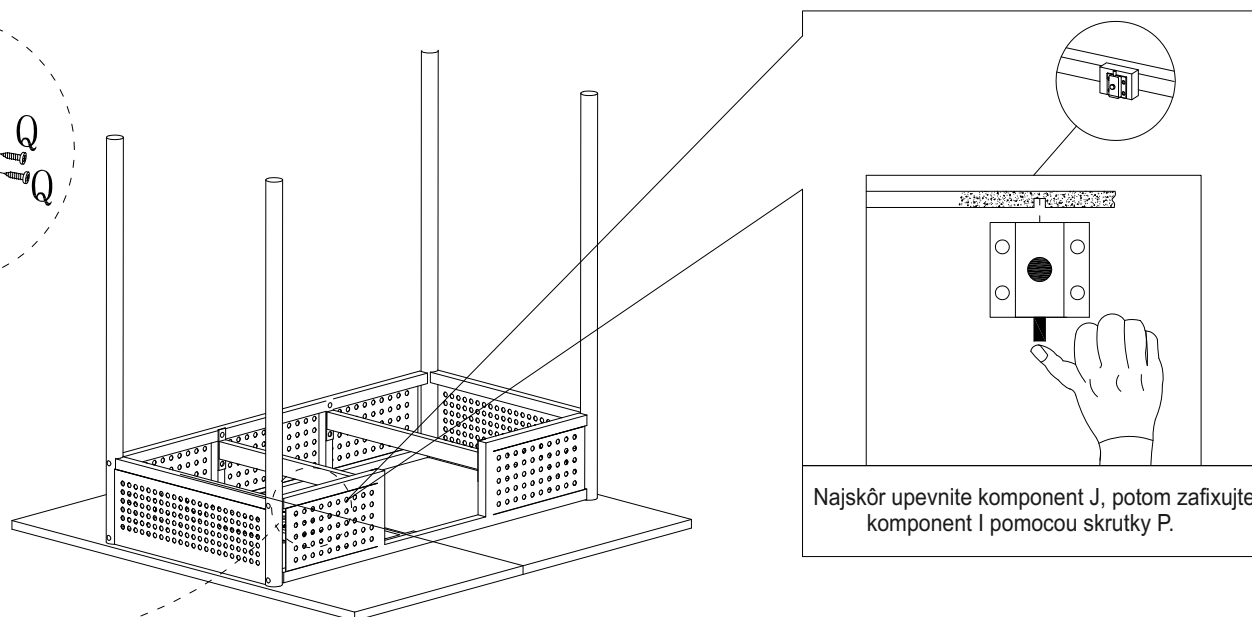
6.krok



7.krok

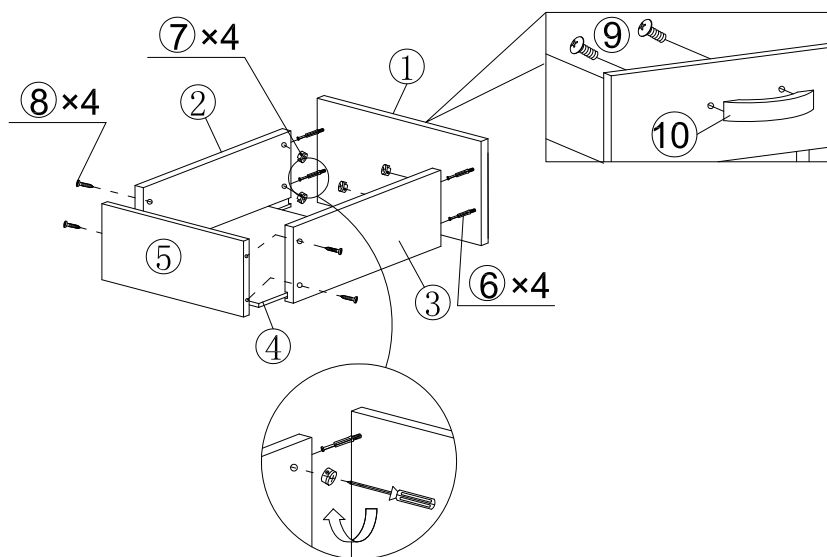


8.krok

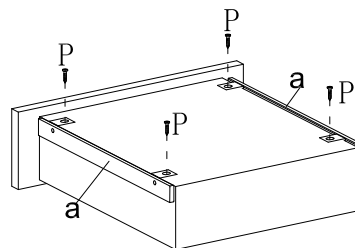


Najskôr upevnite komponent J, potom zafixujte komponent I pomocou skrutky P.

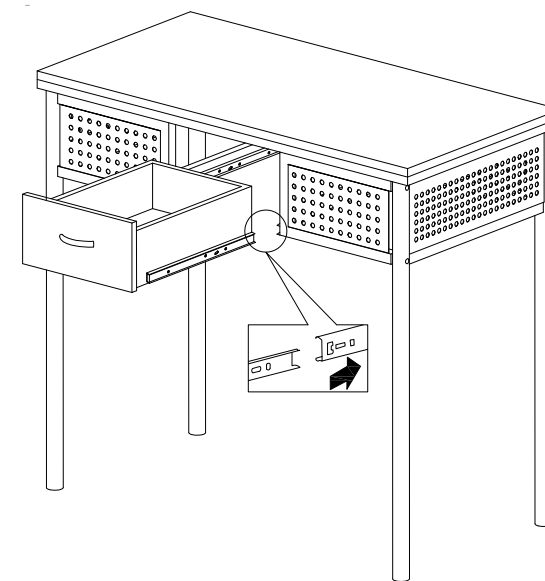
9.krok



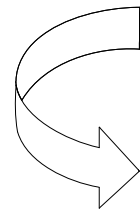
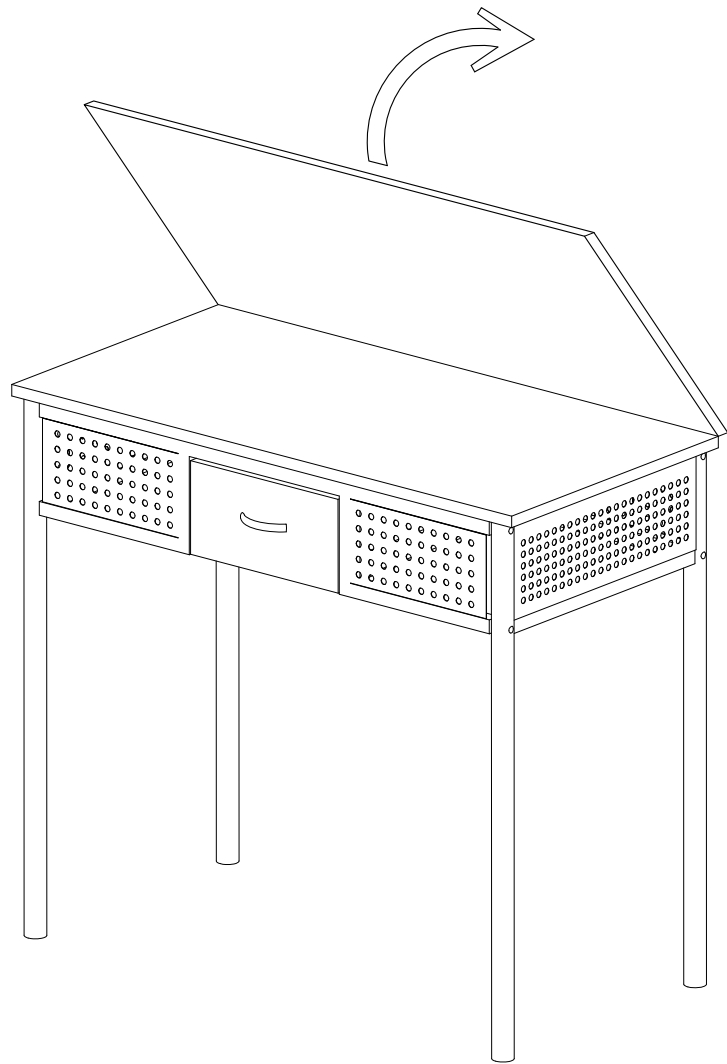
10.krok



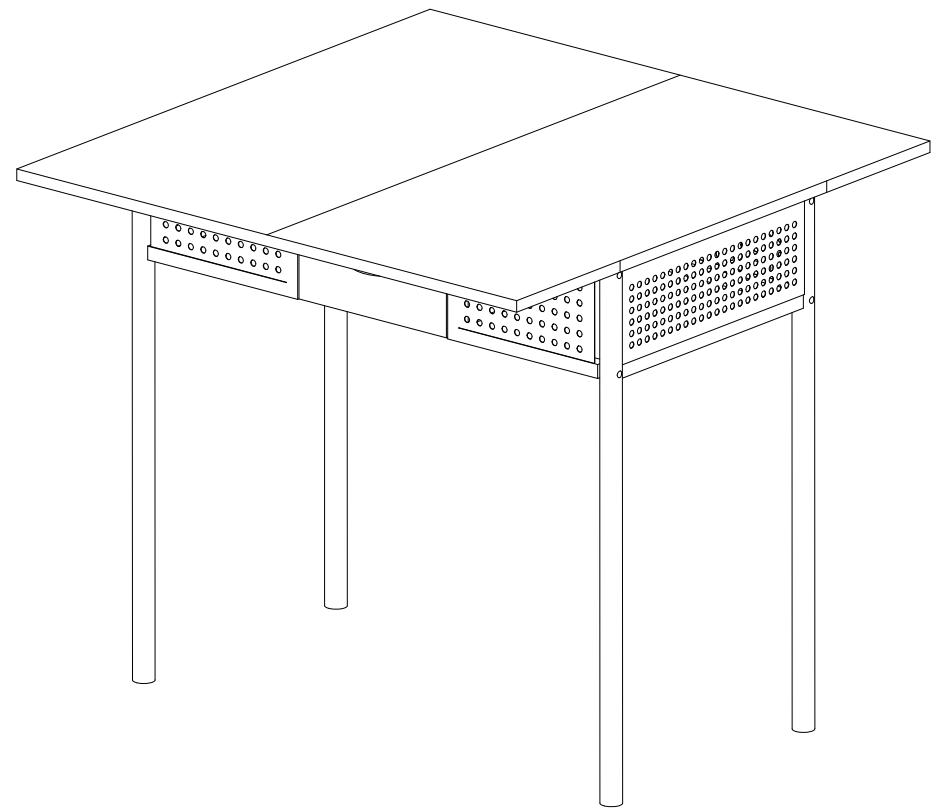
11.krok



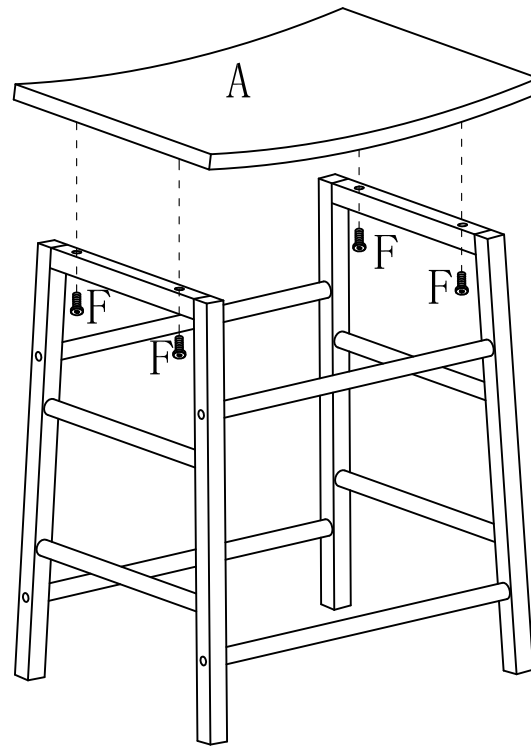
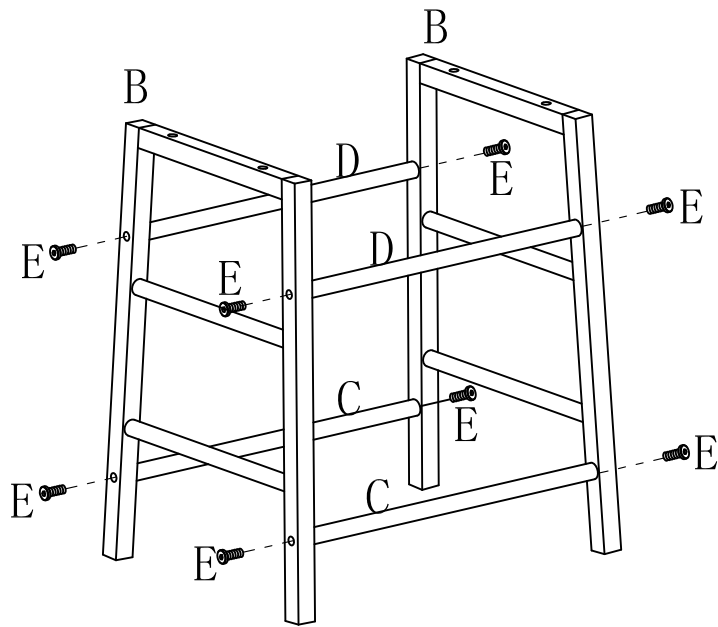
12. Krok



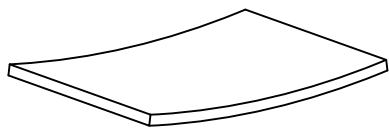
13. Krok



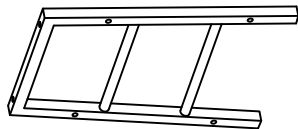
MONTÁŽNY NÁVOD - HOMER SET - LY 1042 -stolička



G × 1 Ks



A × 2 Ks



B × 4 Ks



C × 4 Ks

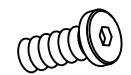


D × 4 Ks



M6 × 15mm

E × 16 Ks



M6 × 30mm

F × 8 Ks